



MINIATURE 4-20mA OUTPUT IS® PRESSURE TRANSDUCER

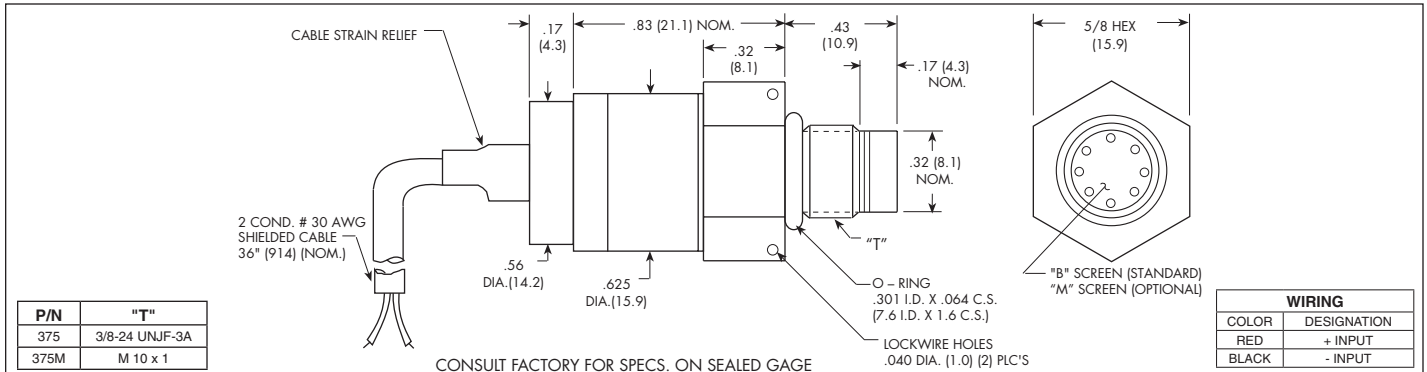
ETQ-13-375(M) SERIES

- 4-20mA Output
- 2 Wire Operation
- Hybrid Microelectronic Signal Conditioner
- Flush Diaphragm Coupled With Protective Screen
- All Welded Construction
- Silicon on Silicon Integrated Sensor **VIS®**
- Qualified Configuration For Industrial Applications
- Economically Designed For OEM Applications
- 3/8-24 UNJF or M10 X 1 Thread
- Intrinsically Safe Applications Available (IS-ETQ-13-375)



The ETQ-13-375 Series of miniature pressure transducers are flush diaphragm units utilizing a Kulite Piezoresistive Sensor as the sensing element. Mounted within the body of the transducer is a hybrid regulator-amplifier which provides a

stable, low noise 4-20mA output, with a 12 - 32 VDC unregulated input. The flush diaphragm is protected against mechanical damage by a screen which is standard.



INPUT Pressure Range	17 250	70 1000	350 5000	700 BAR 10000 PSI
Operational Mode	Sealed Gage			
Over Pressure	2 Times Rated Pressure to 1000 PSI (70 BAR) 1.5 Times Rated Pressure Above 1000 PSI to a Max. of 30000 PSI (2100 BAR)			
Burst Pressure	3 Times Rated Pressure to a Max. of 30000 PSI (2100 BAR)			
Pressure Media	Any Liquid or Gas Compatible With 15-5 PH or 316 SS			
Minimum Voltage Required	9 V Minimum Voltage Required Across The Input and Output Wires			
Rated Electrical Excitation	12 - 32 VDC			
OUTPUT Output	4 - 20 mA			
Bandwidth (-3dB)	DC to 750 Hz			
Combined Non-Linearity, Hysteresis and Repeatability	± 0.1% FSO BFSL (Typ.), ± 0.5% FSO (Max.)			
Resolution	Infinitesimal			
Natural Frequency	Greater Than 400 KHz			
Acceleration Sensitivity % FS/g Perpendicular	2.2x10 ⁻⁴	6.2x10 ⁻⁵	1.5x10 ⁻⁵	1.3x10 ⁻⁵
Transverse	1.0x10 ⁻⁵	4.3x10 ⁻⁶	1.5x10 ⁻⁶	1.3x10 ⁻⁶
Insulation Resistance	100 Megohm Min. at 50 VDC			
ENVIRONMENTAL Operating Temperature Range	-65°F to +250°F (-55°C to +120°C) (Max.)			
Compensated Temperature Range	0°F to +212°F (-18°C to +100°C) Other Ranges Quoted on Request			
Thermal Zero Shift	± 2% FS/100°F (Typ.)			
Thermal Sensitivity Shift	± 2% /100°F (Typ.)			
Linear Vibration	100g Peak, Sine up to 5000 Hz			
Altitude	-150 ft. to +70,000 ft. Will Not Damage Sensor			
Humidity	100% Relative Humidity			
Mechanical Shock	100g half Sine Wave 11 msec. Duration			
PHYSICAL Electrical Connection	2 Conductor 30 AWG Shielded Cable 36" Long			
Weight	24.5 Grams Excluding Cable			
Sensing Principle	Fully Active Four Arm Wheatstone Bridge Dielectrically Isolated Silicon on Silicon			
Mounting Torque	80 Inch-Pounds (Max.)			

Note: Custom pressure ranges, accuracies and mechanical configurations available. Dimensions are in inches. Dimensions in parenthesis are in millimeters. Continuous development and refinement of our products may result in specification changes without notice - all dimensions nominal. (H)