

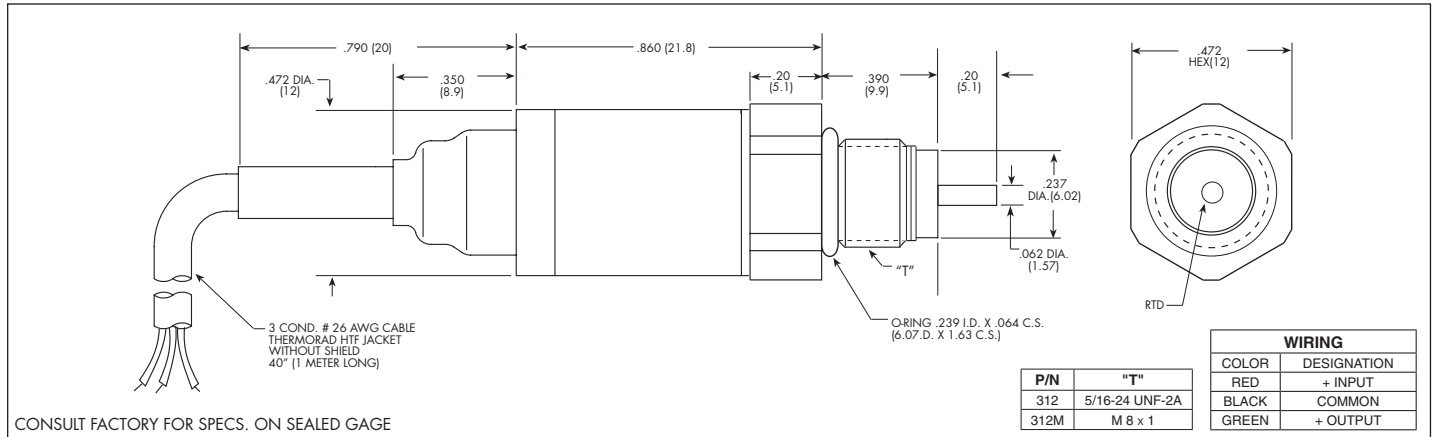


MINIATURE INTEGRATED TEMPERATURE SENSOR

ETS-312 (M) SERIES

- Robust Construction
- Voltage Output
- Excellent Long Term Stability
- Fast Response Time
- High Temperature
- Excellent For High Vibration and Thermal Shock
- Low Self Heating
- High Reliability

The ETS-312 utilizes a thin film platinum temperature sensor which provides a short response time as well as high accuracy and long-term stability over a wide temperature range.



SPECIFICATIONS	
Media	Any Fluid Compatible With 15-5 and 316 Stainless Steel
Rated Electrical Excitation	12 ± 4 VDC or 28 ± 4 VDC
Full Scale Output	5V ± 3%
RTD	Platinum Class A RTD Per DIN EN 60751 (IEC 751)
Residual Unbalance	500 mV ± 50 mV
Output Type	3 Wire Amplified Single Ended Output
Resolution	Infinitesimal
Response Time	2 Sec. (Typ.)
Insulation Resistance	100 Megohm Min. @ 50 VDC
Operating Temperature Range	-67°F to +400°F (-55°C to +200°C) (+365°F (185°C) Max. For The Transducer Body)
Compensated Temperature Range	-40°F to +350°F (-40°C to +175°C)
Steady Acceleration and Linear Vibration	100g Peak, Sine up to 5000 Hz
Humidity	100% Relative Humidity
Electrical Connection	3 Conductor 26 AWG Thermorad HTF Jacket Without Shield 40" (1 Meter Long)
Weight	30 Grams (Nom.) Excluding Cable
Mounting Torque	50 Inch-Pounds (Max.) 6Nm

Note: Custom pressure ranges, accuracies, mechanical configurations and RTD resistance available. Dimensions are in inches. Dimensions in parenthesis are in millimeters. Continuous development and refinement of our products may result in specification changes without notice - all dimensions nominal. (C)