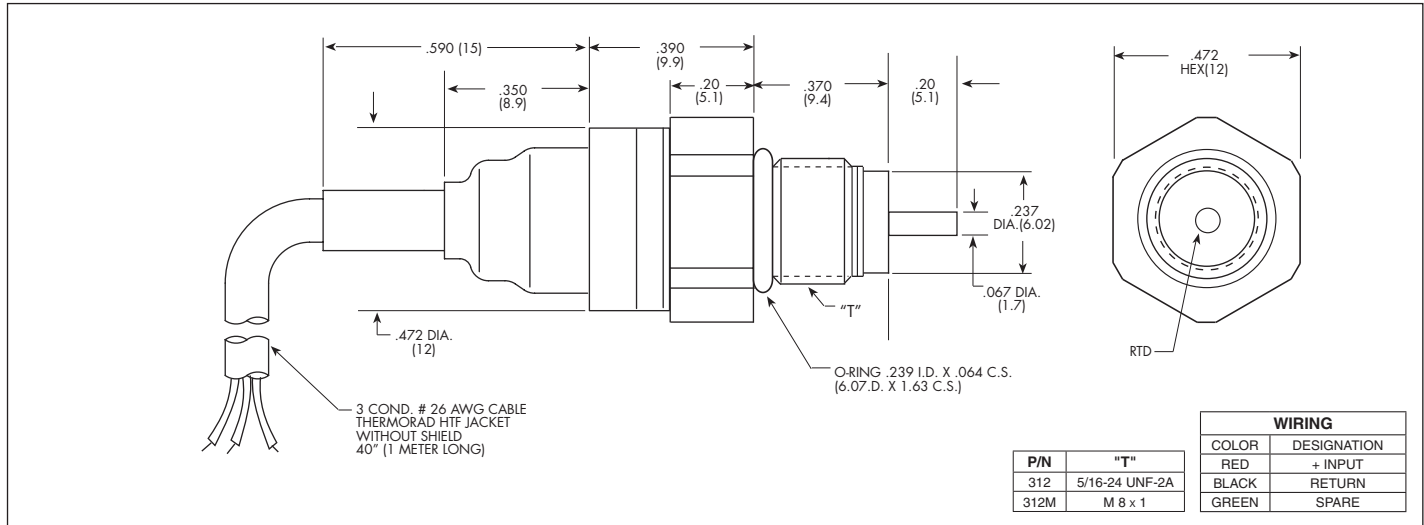


TTS-312(M) SERIES

- Robust Construction
- Excellent Long Term Stability
- Fast Response Time
- High Temperature
- Excellent For High Vibration and Thermal Shock
- Low Self Heating
- High Reliability

The TTS-312 utilizes a thin film platinum temperature sensor which provides a short response time as well as high accuracy and long-term stability over a wide temperature range.



| SPECIFICATIONS | |
|--|--|
| Temperature Range | -150°F to +400°F (-100°C to +200°C) |
| Media | Any Fluid Compatible With 15-5 and 316 Stainless Steel |
| Sensing Principle | Thin Film Platinum Class A RTD Per DIN EN 60751 (IEC 751) Temperature Coefficient .00385 Ω/Ω/°C |
| Nominal Resistance at 0°C | TTS-A-312(M) 100 Ohms TTS-B-312(M) 500 Ohms TTS-C-312(M) 1000 Ohms |
| Excitation | 1mA (2mA Max.) |
| Accuracy | ± 1°C (Typ.) |
| Response Time | 2 Sec. (Typ.) |
| Steady Acceleration and Linear Vibration | 100g Peak, Sine up to 5000 Hz |
| Humidity | 100% Relative Humidity |
| Electrical Connection | #26 AWG, 3 Conductor Cable, 40" (1 Meter) Long |
| Weight | 20 Grams (Nom.) Excluding Cable |
| Mounting Torque | 50 Inch-Pounds (Max.) 6Nm |

Dimensions are in inches. Dimensions in parenthesis are in millimeters.

*Note: Other resistance values available on request as well as mechanical configurations..

Continuous development and refinement of our products may result in specification changes without notice - all dimensions nominal. (D)