

# OSI THREE-PHASE AC RMS CURRENT TRANSDUCER MODEL 3CTR-

## 3-IN-1 AC RMS CURRENT TRANSDUCER 0.25% ACCURACY

### FEATURES

- Accurate measurement of the **true RMS** value of input current over a wide frequency range.
- Input/output dielectric test 2500V.
- **0.25% ACCURACY**

### APPLICATIONS

- For use in applications where measurement of non-sinusoidal waveforms is required.
- Designed for use on three-phase systems, but may also be used to monitor three single-phase circuits where panel space is a premium.
- Designed to withstand motor start-up transients.



**5 YEAR WARRANTY**

All units have universal power supply 85-265Vac, 48-420Hz, or 110-370Vdc.

INPUT CURRENT	STANDARD OUTPUTS MODEL 3CTR-			
	0-1mA <sub>dc</sub>	4-20mA <sub>dc</sub>	0-10V <sub>dc</sub>	0-5V <sub>dc</sub>
0 - 1	001B	001E	001D	001X5
0 - 5	005B	005E	005D	005X5
0 - 10	010B	010E	010D	010X5
0 - 15	015B	015E	015D	015X5
0 - 20	020B	020E	020D	020X5

### ORDERING INFORMATION

Example: 15 Amp AC Input with 0-10V<sub>dc</sub> Output.  
**3CTR-015D**

## SPECIFICATIONS

### INPUT

Current.....See Table  
 Frequency Range .....48-420Hz  
 Burden .....(Each input).....0.40VA @ F.S.  
 Overload  
 1-10A Range .....2 X F.S. (cont.)  
 15 & 20A Range .....1.25 X F.S. rating (cont.)  
 1A Range.....10A (10s transient)  
 All other ranges .....50A (10s transient)  
 250A (1s transient)

### DIELECTRIC TEST

Input/Output/Case.....2500Vac, RMS

### INSTRUMENT POWER

Standard .....85-265Vac, 48-420Hz, 5VA  
 or 110-370Vdc, 5VA

### OUTPUT

Response Time (to 90%) .....100ms  
 Loading  
 "B" models.....(0-1mA<sub>dc</sub>).....0-10kΩ  
 "D", "X5" models...(0-5V<sub>dc</sub>, 0-10V<sub>dc</sub>) .....2kΩ min.  
 "E" models.....(4-20mA<sub>dc</sub>).....0-500Ω  
 Field Adjustable Cal. ....±10%

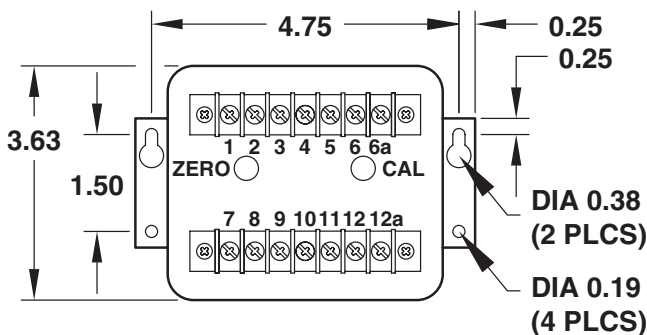
### ACCURACY

Linearity & Setpoint.....±0.25% F.S. @ 60Hz  
 (±0.5% typical over frequency range.)  
 Output Ripple .....<1.0% F.S.

### TEMPERATURE & PHYSICAL

Temperature Effect...(-20°C to 60°C) .....±1.0% R<sub>dg</sub>.  
 Net Weight .....2.5 Lbs.

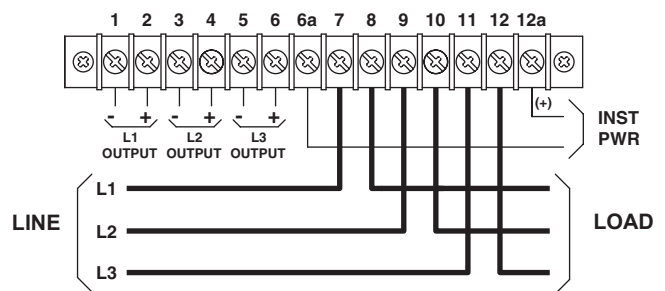
## CASE DIMENSIONS



CASE HEIGHT 6.63"

All dimensions in inches

## CONNECTION DIAGRAM



TERMINALS 1, 3, AND 5 ARE INTERNALLY COMMON