

OSI DC & RMS CURRENT TRANSDUCERS MODELS CT7- & CT8-

DC TO 500Hz 0.1A TO 20A INPUTS

DESCRIPTION

The **Model CT7-Series** (DC) current transducer produces an output which is directly proportional to the input signal from dc to 500Hz. It functions as a dc isolator or low-frequency ac transducer with dc response. The output is proportional to the input. (ac input/ac output, dc input/dc output)

The **Model CT8-Series** (RMS) current transducer provides an output directly proportional to the RMS value of the input over the dc to 500Hz range. The dc output is proportional to the RMS input including dc. Full-scale current ranges of 0.1 to 20 Amperes, and 2500Vac input/output dielectric test make them suitable for many instrumentation needs.

5 YEAR WARRANTY



INPUT AMPS	STANDARD OUTPUTS MODEL CT7 & CT8			
	1mA	4-20mA	10V	5V
0 to 0.1	002B	002E	002D	002X5
0 to 0.5	004B	004E	004D	004X5
0 to 1.0	006B	006E	006D	006X5
0 to 1.5	007B	007E	007D	007X5
0 to 2.0	008B	008E	008D	008X5
0 to 5.0	014B	014E	014D	014X5
0 to 10.0	015B	015E	015D	015X5
0 to 15.0	016B	016E	016D	016X5
0 to 20.0	017B	017E	017D	017X5

ORDERING INFORMATION

Example: 0-5Adc Input,
with 4-20mA Output &
125Vdc Inst. Pwr.
CT7-014E

Instrument Power Options

- Option "-11" 95-135Vac, 50/60Hz, 5VA
- Option "-22" 230Vac, 50/60Hz, 5VA
- Options "-12", "-15", "-24", "-37", "-48".....
12Vdc thru 48Vdc, ±10%, 150mA max.

Bidirectional (±) output on CT7.

Other current & frequency ranges available, consult factory.

SAVE \$ "-11" & "-22" models utilize a low cost linear power supply.

SPECIFICATIONS

INPUT

Current.....See Table
Frequency Range dc-500Hz
BurdenVA (0.050V X F.S. current)
Overload 1.25 X F.S. rating

OUTPUT

Response Time (to 90%)
CT7 Models 1ms
CT8 Models 100ms
Loading
0-1mA 0-10kΩ
5V & 10V >2kΩ
20mA 0-500Ω
Field Adjustable Cal. ±10%

DIELECTRIC TEST

Input/Output/Case 2500Vac

INSTRUMENT POWER

Standard 85-265Vac, 48-420Hz, 5VA, or 110-370Vdc
Options..... See available instrument power options

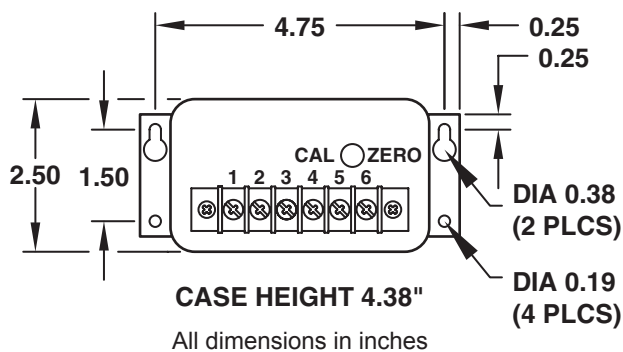
ACCURACY Includes effects of linearity and repeatability.

CT7 Models ±0.25% F.S. @ DC
CT8 Models ±0.25% F.S. @ 48-420Hz
Ripple <1.0% F.S.

TEMPERATURE & PHYSICAL

Operating Range -10°C to 60°C
Temperature Effect ±1% Rdg.
Net Weight 1.5 lbs

CASE DIMENSIONS



CONNECTION DIAGRAM

