

FEATURES

- Low Current Ranges
- Easy Installation (Split-Core)



APPLICATIONS

- Current Measurement
- Power Measurement

ORDERING INFORMATION

Example:
100A Input with a 5A Output
CTI-100

MODEL SELECTION

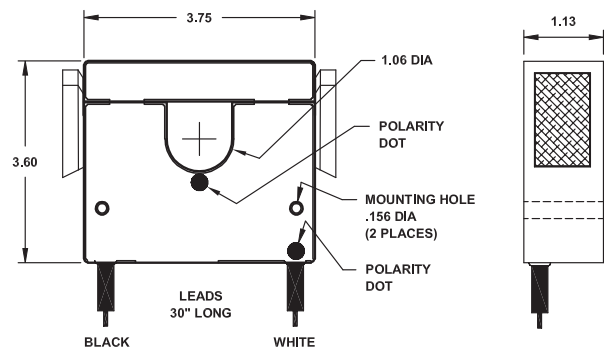
MODELS	CURRENT RATIO	BURDEN	ACCURACY F.S.
CTI-100	100:5	0.5VA	±3%
CTI-150	150:5	0.5VA	±2%
CTI-200	200:5	1.0VA	±1%
CTI-250	250:5	2.0VA	±1%
CTI-300	300:5	2.0VA	±1%
CTI-400	400:5	2.5VA	±1%

Note:
Can be calibrated with OSI transducers for better accuracy

SPECIFICATIONS

Frequency.....60Hz
 Insulation 600Vac
 Case MaterialABS
 Termination..... 30" 14AWG Wire
 Weight 1 lb
 Output.....0-5 Aac
 Continuous Thermal Current Rating Factor
 1.33@30°C Ambient
 1.0@55°C Ambient
 Net Weight..... 1.0 Lbs.

SENSOR DIMENSIONS



All dimensions in inches