

OSI SINGLE-PHASE AC RMS CURRENT TRANSDUCER MODEL DCTR-

DIN-RAIL-MOUNTED AC RMS CURRENT TRANSDUCER

FEATURES

- Accurate measurement of the **true RMS** value of the input signal.
- Universal ac/dc instrument power.
- One model for either 1A or 5A input.

APPLICATIONS

- For use in applications where measurement of non-sinusoidal or distorted waveforms is required.
- Applications that require CE or CSA approvals.
- Perfect for installations that require compact packaging.



INPUT AC AMPS	STANDARD OUTPUTS MODEL DCTR-			
	0-1mA _{dc}	4-20mA	0-10V _{dc}	0-5V _{dc}
0 to 1 or 5	005B	005E	005D	005X5

All standard units require 85-230Vac/dc instrument power.

ORDERING INFORMATION

Example: 1 Amp AC Input with
0 to 10Vdc Output.
DCTR-005D

SPECIFICATIONS

INPUT

Current.....0-1Aac or 0-5Aac
 Frequency Range 50/60Hz
 Burden <1VA
 Current Overload 120% F.S. (continuous)
 20 X F.S. for 1 second

DIELECTRIC TEST

Input to Instrument Power/Output/Case.....3700Vac
 Instrument Power to Output/Case.....3700Vac
 Output to Case.....490Vac

INSTRUMENT POWER

Standard85-230Vac/dc, 40-400Hz, 3.0VA

OUTPUT

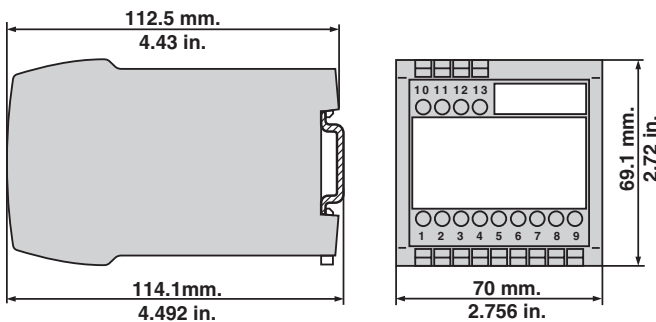
Loading
 "B" model.....(0-1mA output)..... 0-15kΩ
 "D", "X5" models...(0-10, 0-5Vdc)..... 2.5kΩ min.
 "E" model.....(4-20mA)..... 0-750Ω
 Response Time.....(to 90%).....300ms

ACCURACY..... ±0.5% F.S. @ 60Hz
 Output Ripple <0.5% p.p.

TEMPERATURE & PHYSICAL

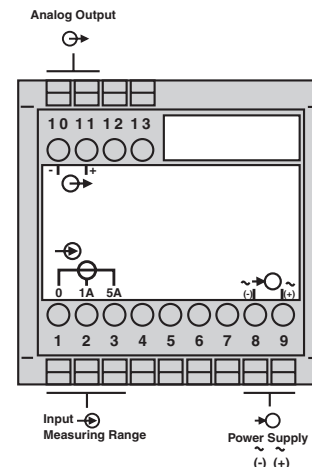
Operating Range.....-10°C to 55°C
 Termination Wire size up to 10AWG
 Net Weight0.7 lbs

CASE DIMENSIONS



Mounted on 35mm top-hat DIN-rail.

CONNECTION DIAGRAM



OHIO SEMITRONICS, INC.

4242 REYNOLDS DRIVE * HILLIARD, OHIO * 43026-1264
 PHONE: (614) 777-1005 * FAX: (614) 777-4511
 WWW.OHIOSEMITRONICS.COM * 1-800-537-6732