

FEATURES

- Isolated linear output from a standard or non-standard input process signal.
- Factory calibrated for various input and output signals.

APPLICATIONS

- Process control
- Signal isolation
- Signal conversion



MODEL SELECTION CHART

SG - □ - □ - □ (no dash) □

RATED INPUT	RATED OUTPUT	INSTRUMENT POWER	ADJUSTMENT OPTION
(1) 0-1mA _d c	(01) 0-1mA _d c	(H) 115Vac	(Blank) ±10% Output Span Adj. ±1% Zero Adj.
(2) 0-10V _d c	(02) 0-10V _d c	(G) 230Vac	(1) 50% Output Span Adj.
(3) 0-5V _d c	(03) 0-5V _d c	5 YEAR WARRANTY	(2) +10% Output Span Adj. 50% Zero Adj.
(4) 1-5V _d c	(04) 1-5V _d c		(3) 50% Output Span Adj. 50% Zero Adj.
(5) 0-20mA _d c	(05) 0-20mA _d c		
(6) 4-20mA _d c	(06) 4-20mA _d c		
(7) 20-4mA _d c	(07) 0-5mA _d c		
(8) 10-50mA _d c	(08) 4-20mA loop powered		
	(09) 4-12-20mA _d c		

ORDERING INFORMATION

Example:
4-20mA_dc Input
and 0-1mA_dc
Output, 115Vac
Instrument Power,
Adj. Option1

SG-6-01-H1

SPECIFICATIONS

INPUT

Type See Table
 Burden
 0-1mA models 1kΩ
 5V, 10V, 1-5V, 50mV, 100mV models min. 100kΩ
 4-20mA models 250Ω
 0-50mA models 100Ω
 Over-range 2 X rated input.
 Response Time 1ms

DIELECTRIC TEST

Input to Output 1000V_dc
 Input/Output to Instrument Power 1500V_dc

INSTRUMENT POWER

Standard (option H) 95-135Vac, 50-400Hz, 3.5VA
 Option G 230Vac, 50-60Hz
 Optional DC instrument power Consult Factory

OUTPUT

Loading
 0-1mA models 0-10kΩ
 0-5mA models 0-2.4kΩ
 0-5V, 0-10V models >2kΩ
 1-5V models >2kΩ
 4-20mA models 0-600Ω
 Response Time 10ms

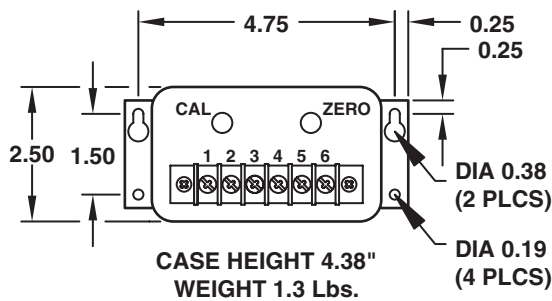
ACCURACY

Set Point ±0.25% F.S.
 Linearity ±0.1% F.S.
 Output Ripple <±0.5% F.S.

TEMPERATURE & PHYSICAL

Temperature Operating Range -20°C to 65°C
 Temperature Effect ±0.01%/°C
 Termination #14 AWG max.

CASE DIMENSIONS AND CONNECTION DIAGRAMS



All dimensions in inches

