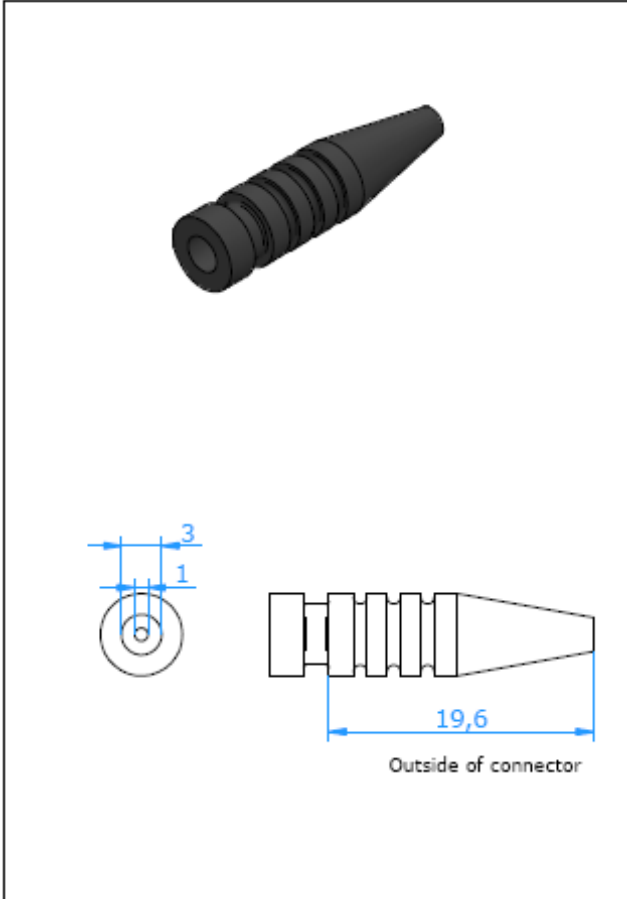


## Accessories

### Miniature Connector Bending Protection

**APPLICATION:**

Bending protection for thermocouples and wire being used with miniature connectors. Prevents mechanical damage of wires at entrance point of the connector.

**CONSTRUCTION:**

Silicon rubber insert, tapered entrance hole ensures proper sealing on cable

**TEMPERATURE RATING:**

- 200 °C Max.

PART NUMBER
-------------

20.293
--------