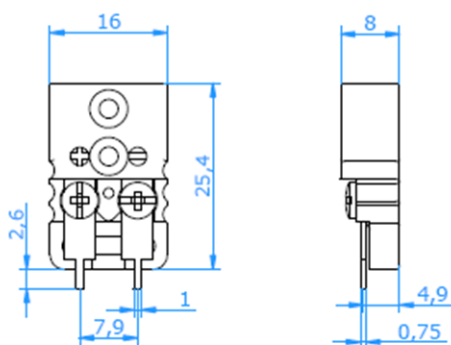
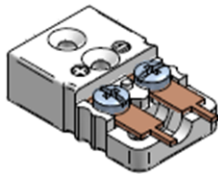


Connectors

Miniature Jack PCB Mounting *Rear mounting*



APPLICATION:

Miniature Jack/Socket for thermocouple and RTD circuits. Designed for direct soldering onto printed circuit boards.

This version is suitable for rear mounting, other versions available, please see separate specification sheet.

CONSTRUCTION:

- Glass filled thermoplastic body with original thermocouple material pins and springloaded inserts.
- Polarized pins ensure proper connection.
- Copper pins for soldering on the PCB
- Rugged one body design.

TEMPERATURE RATING:

- 200 °C Max.

COLOR CODE:

- Available in all color code standards incl. NFE, BS, JIS, etc.

ORDERING CODE **Plug:** **CMJ-xxPR** *For last two digits 'xx' see table below*

Calibration Code	E	J	K	N	T	U	R/S	C	B
Compensation material for							<i>Pt13Rh</i>	<i>W5Re</i>	<i>Pt6Rh/</i>
							<i>Pt</i>	<i>W26Re</i>	<i>Pt30Rh</i>
Material Positive	<i>NiCr</i>	<i>Fe</i>	<i>NiCr</i>	<i>NiCrSi</i>	<i>Cu</i>	<i>Cu</i>	<i>Cu</i>	<i>CPX</i>	<i>Cu</i>
Material Negative	<i>CuNi</i>	<i>CuNi</i>	<i>NiAl</i>	<i>NiSi</i>	<i>CuNi</i>	<i>Cu</i>	<i>Alloy 11</i>	<i>CNX</i>	<i>Cu</i>
IEC Color Code									
Color Body	<i>Violet</i>	<i>Black</i>	<i>Green</i>	<i>Pink</i>	<i>Brown</i>	<i>White</i>	<i>Orange</i>	<i>Red</i>	<i>Grey</i>
Code	<i>EI</i>	<i>JO</i>	<i>KI</i>	<i>NI</i>	<i>TI</i>	<i>UI</i>	<i>RI</i>	<i>C</i>	<i>BI</i>
ANSI Color Code									
Color Body	<i>Violet</i>	<i>Black</i>	<i>Yellow</i>	<i>Orange</i>	<i>Blue</i>	<i>White</i>	<i>Green</i>	<i>Red</i>	<i>Grey</i>
Code	<i>EI</i>	<i>JI</i>	<i>KA</i>	<i>NA</i>	<i>TA</i>	<i>UI</i>	<i>RA</i>	<i>C</i>	<i>BI</i>
DIN Color Code									
Color Body		<i>Blue</i>	<i>Green</i>		<i>Brown</i>		<i>White</i>		<i>Grey</i>
Code		<i>JD</i>	<i>KI</i>		<i>TI</i>		<i>RD</i>		<i>BI</i>