

PANEL BRACKET MINI

APPLICATION:

Mounting mini connector to use as a high temperature panel insert

CONSTRUCTION:

RVS Bracket, screws and nuts included

TEMPERATURE RATING:

650 Deg. C Max. Together with ceramic connector

650 Deg. C Max. Together with high temperature connector

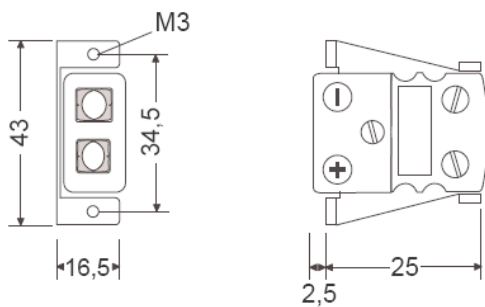
PART NUMBER

A-20.210

Bracket for ceramic connector

A-20.210-2

Bracket for high temperature connector



PANEL BRACKET STANDARD

APPLICATION:

Mounting mini connector to use as a high temperature panel insert

CONSTRUCTION:

RVS Bracket, screws and nuts included

TEMPERATURE RATING:

650 Deg. C Max. Together with ceramic connector

650 Deg. C Max. Together with high temperature connector

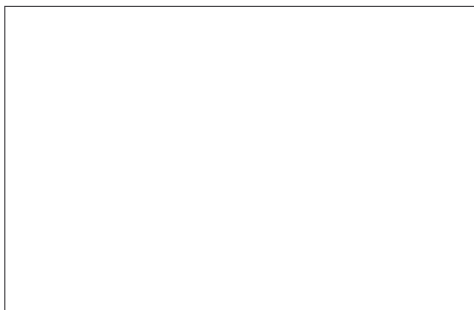
PART NUMBER

A-20.209

Bracket for ceramic connector

A-20.209-2

Bracket for high temperature connector



APPLICATION:

Mounting-set for fixing a minimum 6 of Standard panel inserts to a customized panel

CONSTRUCTION:

110 mm long rod with screws and panel blocks

PART NUMBER

A-20.248