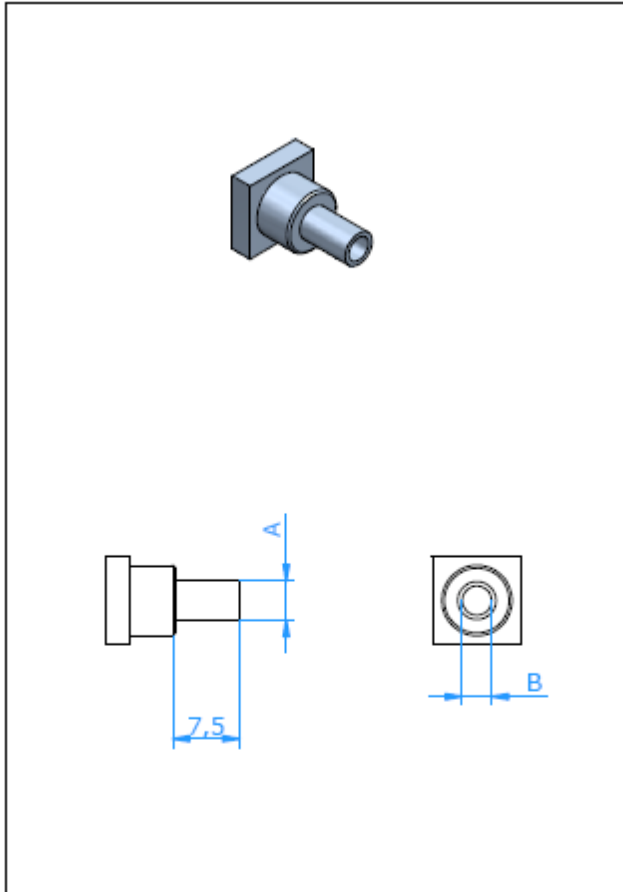


# Accessories

## Standard Connector Braze/Crimp Adapter



### APPLICATION:

Adapter can be fitted in the entrance hole of the connector to braze/crimp in mineral isolated cable.

### CONSTRUCTION:

Stainless steel adapter, AISI-303 / DIN-1.4305 The adapter fits in all standard connectors.

PART NUMBER	A [mm]	B [mm]
20332-1	1,1	2,4
20332-2	1,6	2,4
20332-3	1,7	2,4
20332-4	2,1	3,2
20332-5	2,4	3,2
20332-6	3,1	4,3
20332-7	3,3	4,3
20332-8	4,6	6
20332-9	4,9	6
20332-10	6,1	7,9
20332-11	6,5	7,9
20332-14	7	7,9