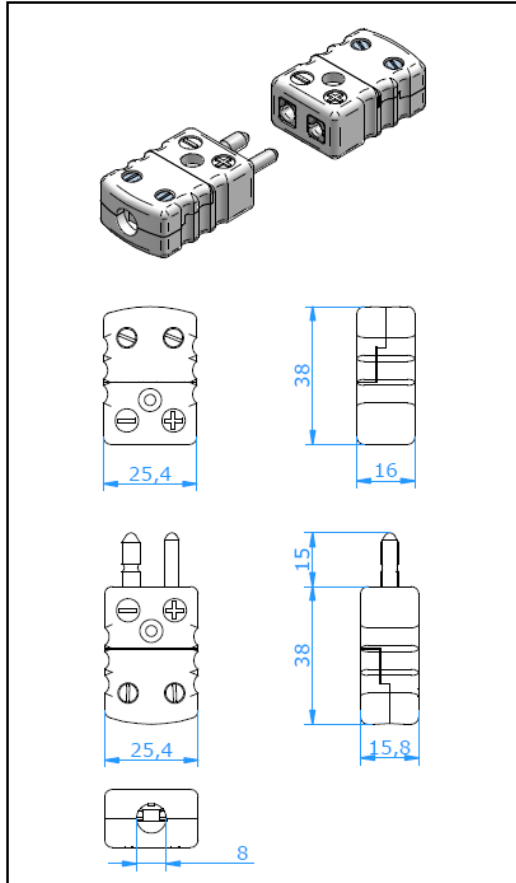


Connectors

Standard Connector Ceramic



APPLICATION:

Connector for thermocouple and RTD circuits. Solid pin design ensures good contact even in demanding applications. Hollow pin design offers a good quality product at competitive pricing for less frequently used connectors.

CONSTRUCTION:

- Ceramic body with original thermocouple material pins and springloaded inserts.
- Polarized pins ensure proper connection.
- Oversize terminal screw head for easy wiring
- One body design.
- High purity alumina body material.

WIRE SIZE:

- Accepts wires from 0,2 mm to 2,0 mm.
- Maximum cable diameter 8,0 mm.

TEMPERATURE RATING:

- 650 °C Max.

COLOR CODE:

Body color white with color dot.

ACCESSORIES:

See separate specification sheet.

ORDERING CODE

Plug Solid Pin :
Plug Hollow Pin :
Jack :

CSPC-xx
CSPCL-xx
CSJC-xx

For last two digits 'xx' see table below

Calibration Code	E	J	K	N	T	U	R/S	C	B
Compensation material for							Pt13Rh	W5Re	Pt6Rh/
Material Positive	NiCr	Fe	NiCr	NiCrSi	Cu	Cu*	Cu	CPX	Cu*
Material Negative	CuNi	CuNi	NiAl	NiSi	CuNi	Cu*	Alloy 11	CNX	Cu*
IEC Color Code									
Color Body	Violet	Black	Green	Pink	Brown	White	Orange	Red	Grey
Code	EI	J1	K1	NI	TI	UI	RI	C**	BI
ANSI Color Code									
Color Body	Violet	Black	Yellow	Orange	Blue	White	Green	Red	Grey
Code	EI	J1	KA	NA	TA	UI	RA	C**	BI
DIN Color Code									
Color Body		Blue	Green		Brown		White		Grey
Code		JD	K1		TI		RD		BI

Note * Copper pins are also available with a hard nickel plating, please add "NP" after the calibration code

** Type C connector plug is only available in a hollow pin version