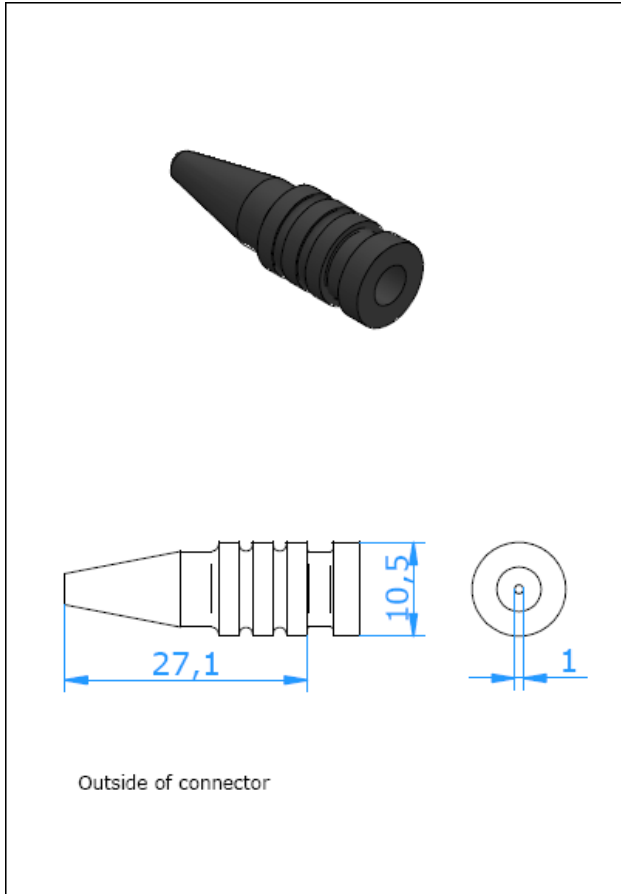


## Accessories

### Standard Connector Bending Protection

**APPLICATION:**

Bending protection for thermocouples and wire being used with standard connectors. Prevents mechanical damage of wires at entrance point of the connector.

**CONSTRUCTION:**

- Silicon rubber insert, tapered entrance hole ensures proper sealing on cable
- Fits in all standard connectors

**TEMPERATURE RATING**

- 200 °C

**PART NUMBER**

20.294