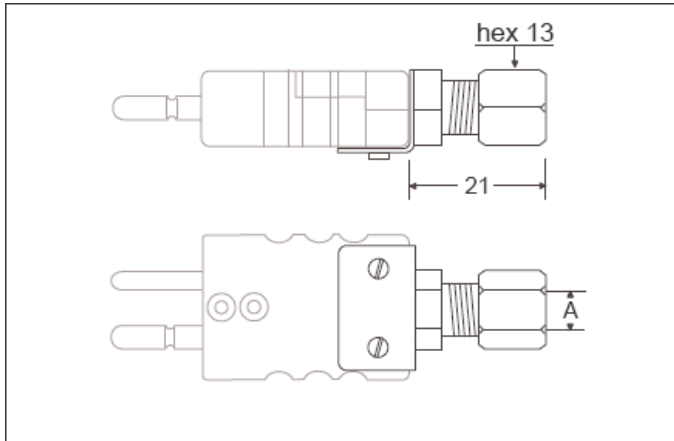


Accessories

Standard Connectors Locking Clip



TUBE ADAPTER

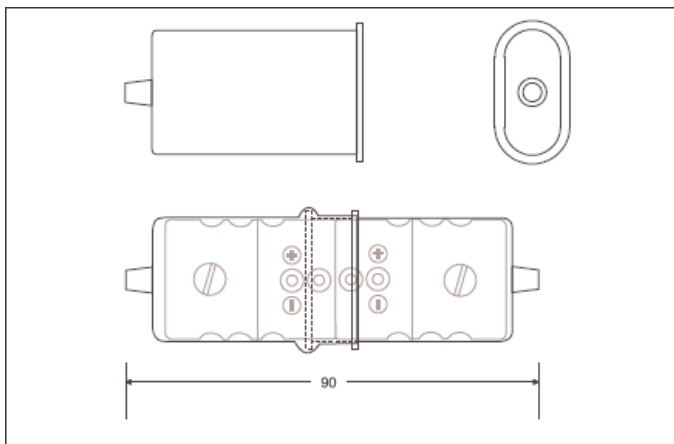
APPLICATION:

Can be used to mount the connector on mineral insulated cable or a tube type thermocouple. Can be used several time sif not overtightened

CONSTRUCTION:

- Brass compression fitting crimped on stainless steel L-bracket
- Nickel plated

PART NUMBER	A [mm]
A-20.154-1	1,1
A-20.154-2	3,3
A-20.154-3	4,9
A-20.154-4	6,5
A-20.154-5	6,0



BOOT

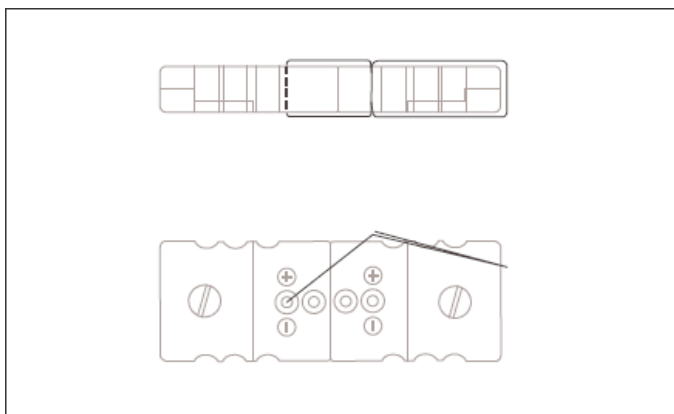
APPLICATION:

Two flexible silicone rubber boots will cover the connector the connector set snugly and prevent moisture, water and dirt entering the connectors

CONSTRUCTION:

- Silicone cover with retention ring to prevent disconnection due the vibration
- Tapered entrance hole to ensure proper sealing on most cable diameters

PART NUMBER	(for one set order 2 pcs)
A-20.061	



LOCKING-CLIP

APPLICATION:

In order to prevent accidental disconnection a locking clip can be used

CONSTRUCTION:

- Stainless Steel clip
- Can be placed without any tools

PART NUMBER
A-20.269