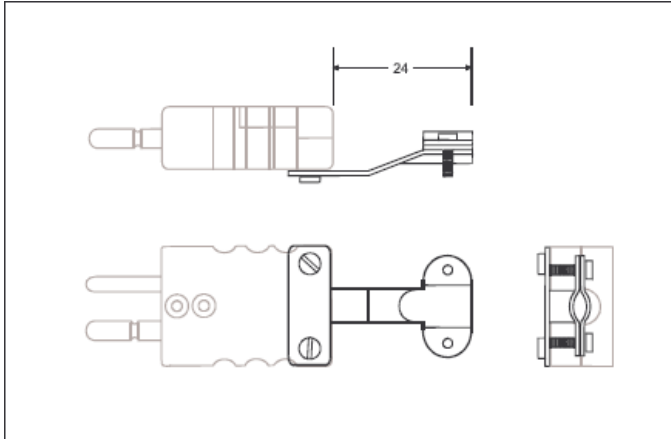


Accessories

Standard Connectors U-Bracket Wire Clamp



WIRE CLAMP BRACKET

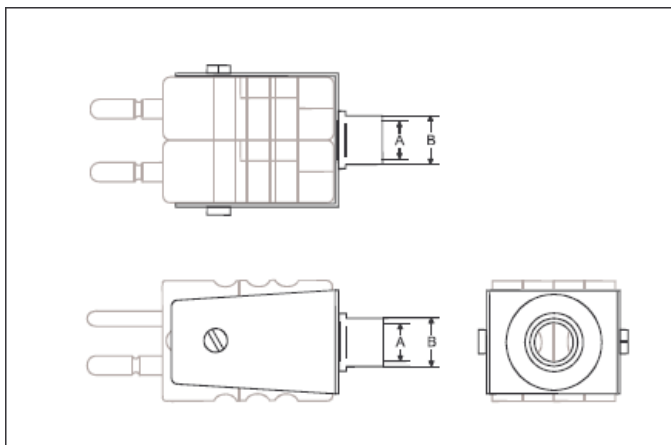
APPLICATION:

Wire clampbracket will provide optimum strainrelief. Construction allows large difference in maximum and minimum wire diameter

CONSTRUCTION:

All stainless steel including stainless steel screws

PART NUMBER	DESCRIPTION
A-20.025-1	
A-20.025-2	for ceramic standard connector
A-20.025-3	for duplex standard connector



U BRACKET

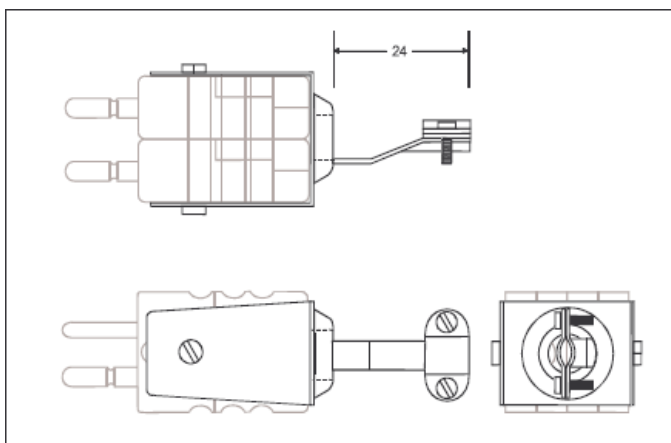
APPLICATION:

Allows the use of two connectors to be fitted on duplex mineral cable or duplex wire

CONSTRUCTION:

- Chrome plated carbon steel bracket with plated steel screws
- Is designed to crimped on the transition piece with an outside diameter of 6 or 8 mm

PART NUMBER	A [mm]	B [mm]
A-20.116-1	6,1	7,9
A-20.116-2	8,1	9,9
A-20.116-3	6,5	7,9



U BRACKET

APPLICATION:

Allows the use of two connectors to be fitted on duplex wire. Construction provides optimum strainrelief and large difference in minimum and maximum diameter

CONSTRUCTION:

All stainless steel including stainless steel screws

PART NUMBER

A-20.048-1