

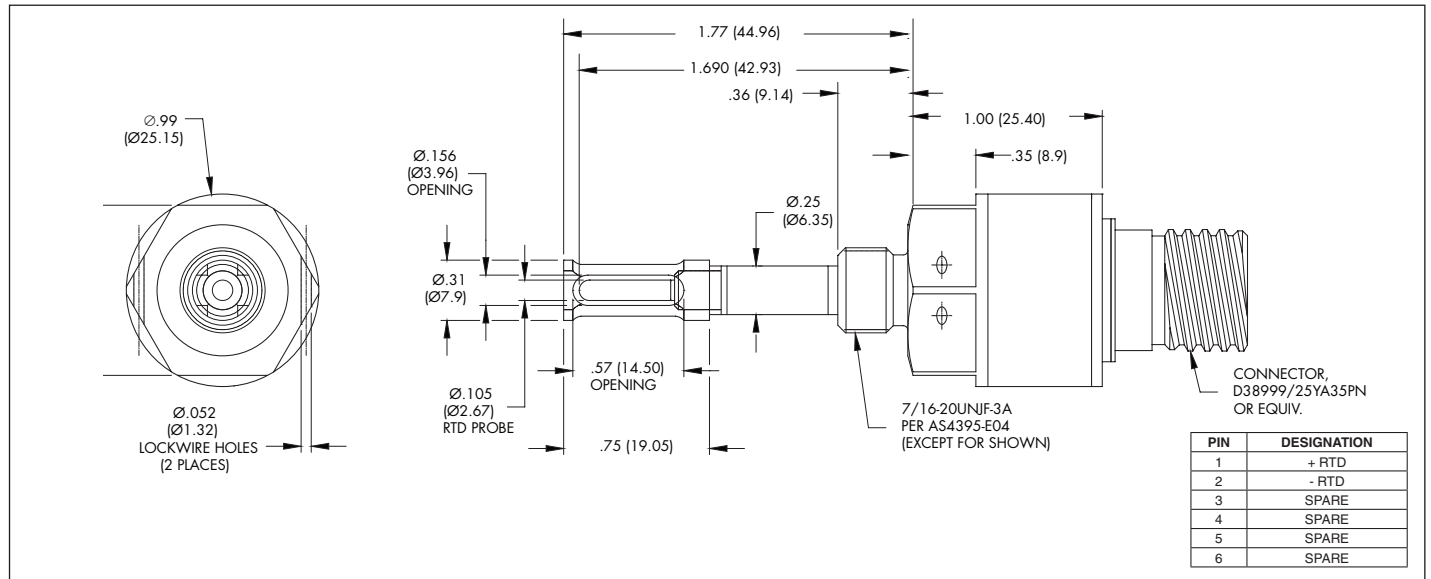


# AIRCRAFT TEMPERATURE SENSOR

## ATS-30-1000-X SERIES

- Fast Response Time
- Excellent Long Term Stability
- Low Self Heating
- High Reliability

The ATS-30-1000 utilizes a thin film platinum temperature sensor which provides a short response time as well as high accuracy and long-term stability over a wide temperature range.



SPECIFICATIONS							
Excitation	1 ma (2 ma Max.)						
Available Resistance* (X)	<table border="1"> <thead> <tr> <th>ATS-30-1000-1</th> <th>ATS-30-1000-2</th> <th>ATS-30-1000-3</th> </tr> </thead> <tbody> <tr> <td>100 <math>\Omega</math></td> <td>500 <math>\Omega</math></td> <td>1000 <math>\Omega</math></td> </tr> </tbody> </table>	ATS-30-1000-1	ATS-30-1000-2	ATS-30-1000-3	100 $\Omega$	500 $\Omega$	1000 $\Omega$
ATS-30-1000-1	ATS-30-1000-2	ATS-30-1000-3					
100 $\Omega$	500 $\Omega$	1000 $\Omega$					
Operating Temperature Range	-65°F to 450°F (-55°C to 232°C)						
Accuracy	$\pm 1^\circ\text{C}$ (Typ.)						
Sensing Principle	Thin Film Platinum Class A RTD Per DIN EN 60751 (IEC 751) Temperature Coefficient .00385 $\Omega/\Omega/^\circ\text{C}$						
Insulation Resistance	100 Megohms Min. @ 50 VDC						
Mounting Torque	75 Inch-Pounds (Max.)						
Media Compatibility	Any Media Compatible With 316 or 17-4 PH Stainless Steel						
Humidity	100% Relative Humidity						

Dimensions are in inches. Dimensions in parenthesis are in millimeters.

\*Note: Other resistance values available on request as well as mechanical configurations.

Continuous development and refinement of our products may result in specification changes without notice - all dimensions nominal. (C)