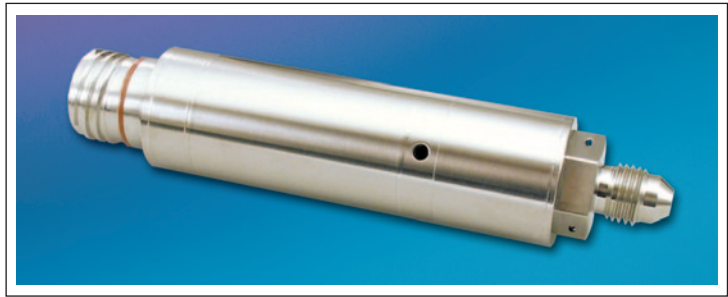




ELECTRONIC PRESSURE SWITCH

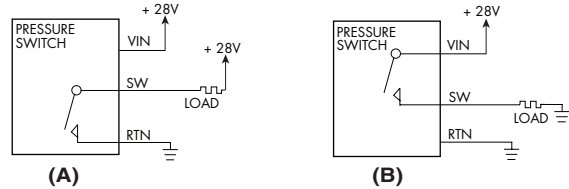
EPS-1000 SERIES

- Solid State Patented Silicon Technology
- No Moving Parts
- High Reliability, MTBF 100,000 Hours Minimum
- Hermetically Sealed and EMI Protected
- Fully Qualified - RTCA/DO-160D
- Flight Certified TSO C47 or Equivalent
- Various Load Configurations Capability
- Intrinsically Safe Applications Available (i.e. IS-EPS-1000)

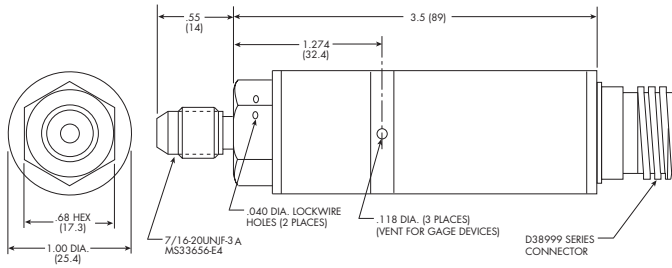


This Electronic Pressure Switch incorporates Kulite Patented Silicon on Silicon integrated pressure sensors and custom electronics to exceed mechanical switch performance. This results in a high reliability switch which has been certified to over 1,000,000 cycles. A third input lead is required to provide the electronics power when the switch is activated.

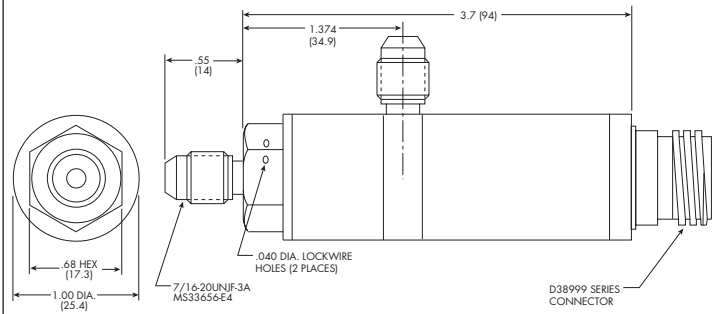
BASIC LOAD CONFIGURATIONS



GAGE



DIFFERENTIAL



INPUT Pressure Range	10 to 5000 PSI
Operational Mode	Absolute, Gage, Differential
Over Pressure	2 Times Rated Pressure
Burst Pressure	3 Times Rated Pressure
Pressure Media	Any Liquid or Gas Compatible With 15-5PH or 316 SS
Electrical Configuration	(A) or (B)
Rated Electrical Excitation	28 VDC (Also +5V, +12V, +15V, etc. Available)
OUTPUT Maximum Electrical Excitation	33 VDC
Switching Electrical Ratings	250mA / 40V Standard (Higher Ratings Available)
Switch Point Accuracy	± 2% of Rated Pressure (Typ.)
Switch Operational Mode	Normally Open (NO) or Normally Closed (NC)
Dead Band (Hysteresis)	1% of Rated Pressure (Typ.) (Other Values Available)
ENVIRONMENTAL Operating Temperature Range	-65°F to +257°F (-55°C to +125°C)
Altitude	Unaffected
Humidity	100% Relative Humidity
Mechanical Shock	100g half Sine Wave 11 msec. Duration
PHYSICAL Electrical Connection	D38999 Series Connector - Electrical Connection Per Customer Specification
Weight	220 Grams (Max.)
Pressure Fittings	MS33656-E4

Note: Optional separate analog output available

Optional configurations and specifications available on request (e.g. multiple switch points, complementary outputs, tighter accuracy, wider hysteresis, etc.)

Note: Custom pressure ranges, accuracies and mechanical configurations available. Dimensions are in inches. Dimensions in parenthesis are in millimeters.

Continuous development and refinement of our products may result in specification changes without notice - all dimensions nominal. (D)