



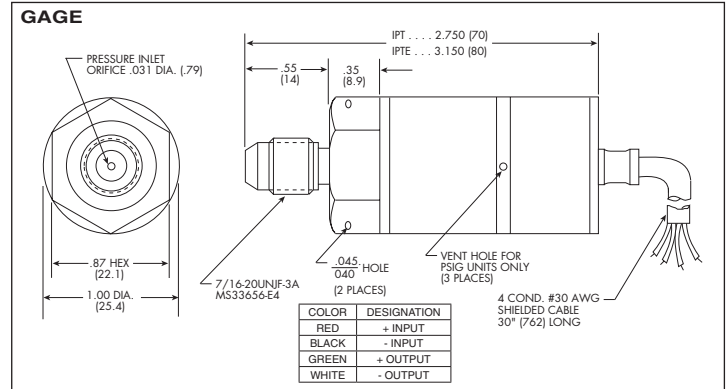
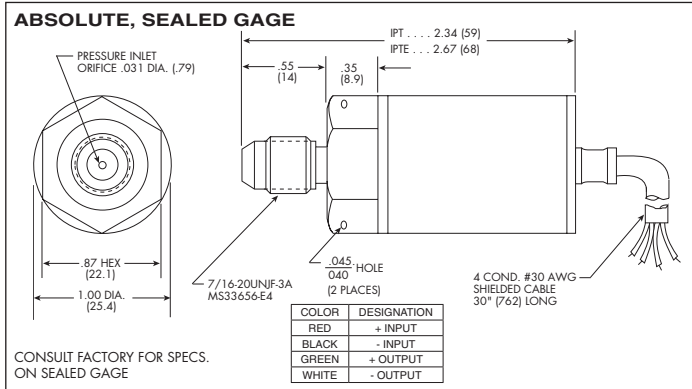
GENERAL PURPOSE, 5 VDC OUTPUT IS® PRESSURE TRANSDUCERS

IPT-1100 SERIES IPTE-1100 SERIES (AMPLIFIED)

- High Unamplified Output (IPT-1100)
- 5 VDC Output (IPTE-1100)
- Rugged All Welded Construction
- High Overload Capabilities
- Silicon on Silicon Integrated Sensor VIS®
- Excellent Long Term Stability
- Intrinsically Safe Applications Available (i.e. IS-IPT-1100 or IS-IPTE-1100)



The ingenious application of modern solid state technology to transducer sensing makes the IPT-1100 Series the most advanced general purpose pressure transducer available. Designed to measure liquid or gas pressure, the transducer is of all-welded stainless steel construction, with integral pressure port and diaphragm. The IPT-1100 provides an extremely rugged, accurate and inexpensive means for pressure-to-voltage conversion. The IPT-1100 Series are ideally suited for a large number of applications in Industry, Process Control, Marine, Automation and Hydraulics. Similar in design to the unamplified IPT-1100 Series, the IPTE-1100 is a 5 volt unit containing a hybrid microelectronic amplifier and regulator within the all welded case.



INPUT	IPT-1100				IPTE-1100			
	Pressure Range	1.7 25	3.5 50	7 100	17 250	35 500	70 1000	170 2500
Operational Mode	Absolute, Sealed Gage, Gage							
Over Pressure	2 Times Rated Pressure Range							
Burst Pressure	5 Times Rated Pressure Range to Max. of 20000 PSI (1400 BAR)							
Pressure Media	Any Liquid or Gas Compatible With 17-4 PH or 316 SS							
Rated Electrical Excitation	10 VDC/AC (RMS)				28 VDC ± 4 VDC			
Maximum Electrical Excitation	12 VDC/AC (RMS)				N.A.			
Input Impedance	1000 Ohm (Min.)				N.A.			
OUTPUT	1000 Ohm (Nom.)				200 Ohm (Typ.)			
Output Impedance	1000 Ohm (Nom.)				200 Ohm (Typ.)			
Full Scale Output (FSO)	100 mV (Nom.)				5V ± 3%			
Bandwidth (-3dB)	DC to 5 KHz							
Residual Unbalance	± 5% FSO				0 ± 100 mV (4 Wire)		200 mV ± 100 mV (3 Wire)	
Combined Non-Linearity, Hysteresis and Repeatability	± 0.1% FSO BFSL (Typ.), ± 0.5% FSO (Max.)							
Resolution	Infinitesimal							
Natural Frequency (KHz)	120	210	285	425	550	720	910	1120
Insulation Resistance	100 Megohm Min. @ 50 VDC							
ENVIRONMENTAL	-65°F to +250°F (-55°C to +120°C)							
Operating Temperature Range	0°F to +180°F (-18°C to +80°C) Other Ranges Quoted on Request							
Compensated Temperature Range	± 1% FS/100°F (Typ.)							
Thermal Zero Shift	± 1% /100°F (Typ.)							
Thermal Sensitivity Shift	50g Peak, Sine 10 to 2000 Hz							
Linear Vibration	-150 ft. to + 70,000 ft. Will Not Damage Sensor							
Altitude	100% Relative Humidity							
Humidity	100g half Sine Wave 11 msec. Duration							
Mechanical Shock	A. 33656/E4 7/16-20 UNJF-3A B. 1/4"-18 NPT Male C. Other Ports Available							
PHYSICAL	4 Conductor 30 AWG Shielded Cable 30" (762) Long							
Pressure Port	110 Grams Approx.							
Electrical Connection	120 Grams Approx.							
Weight	Fully Active Four Arm Wheatstone Bridge Dielectrically Isolated Silicon on Silicon							
Pressure Sensing Principle	100 Inch-Pounds (Max.)							
Mounting Torque								

Note: Custom pressure ranges, accuracies and mechanical configurations available. Dimensions are in inches. Dimensions in parenthesis are in millimeters. Continuous development and refinement of our products may result in specification changes without notice - all dimensions nominal. (G)