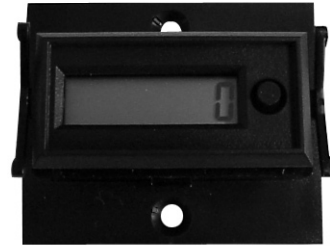
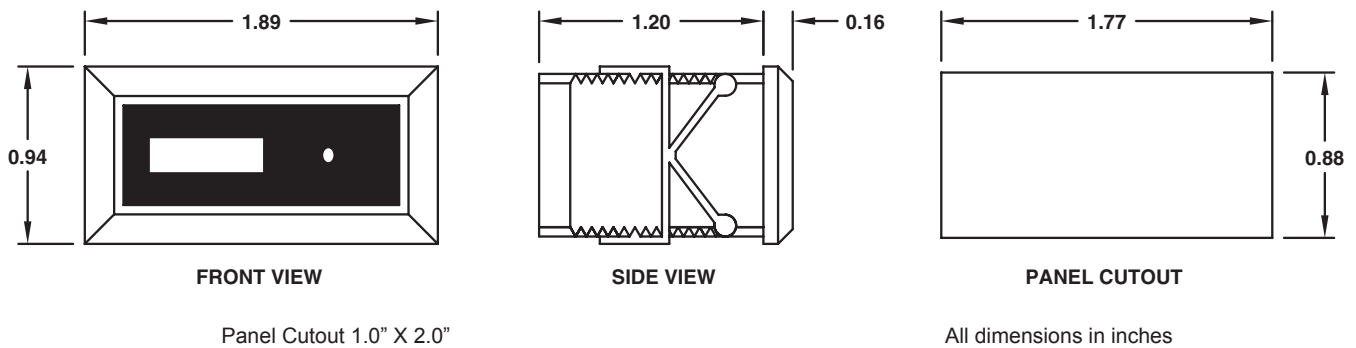


FEATURES

- 8 Digits, 0.28" LCD Display
- Reset Front and Remote
- 5-Year Battery Backup
- Relay Contact/Open Collector/5V TTL or CMOS Pulse Input
- Up to 10kHz Count Rate



CASE DIMENSIONS



CONNECTION DIAGRAM

