

DESCRIPTION

The 15660 is a streamlined, low-cost, utility, dc voltage measuring meter. The unit has a standard input range of $\pm 2V$. The easy-to-use screw terminals and provision to "Hold" the displayed reading indefinitely make this a cost-effective solution for display of most analog signals.

Ease-of-use and quick installation are facilitated by the unique pinout of the series. The standard meter is provided with screw terminal blocks and insulated quick disconnects.



FEATURES

- 0.56" LED Display
- Screw Terminals for Easy Connection
- Selectable Decimal Point Position

SPECIFICATIONS

INPUT

Voltage Range Standard $\pm 2V_{dc}$
 Selectable 20Vdc, $\pm 200V_{dc}$
 Impedance $1M\Omega$, minimum

INSTRUMENT POWER

Standard 120/240V, 50/60Hz, 2.5VA

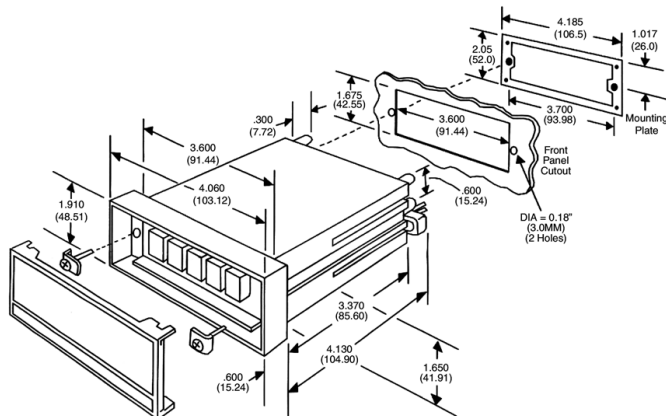
DISPLAY 0.56" LED Display

ACCURACY $\pm 0.05\%$ of reading + 3 digits

TEMPERATURE

Operating Range $+10^{\circ}C$ to $+50^{\circ}C$

CASE DIMENSIONS



Dimensions in inches (mm)

CONNECTION DIAGRAM

