

# OSI THREE-PHASE AC RMS VOLTAGE TRANSDUCER MODEL 3VTR-

## 3-IN-1 AC RMS VOLTAGE TRANSDUCER 0.25% ACCURACY

### FEATURES

- Accurate measurement of the **true RMS** value of input voltage over a wide frequency range.
- Input/Output dielectric test of 2500V.

5 YEAR WARRANTY

INPUT	STANDARD OUTPUTS MODEL 3VTR-			
	0-1mAdc	4-20mAdc	0-10Vdc	0-5Vdc
0 to 150	001B	001E	001D	001X5
0 to 300	002B	002E	002D	002X5
0 to 600	004B	004E	004D	004X5

### APPLICATIONS

- For use in applications where measurement of nonsinusoidal waveforms is required.
- Designed for use in three-phase systems, but may also be used to monitor three single-phase circuits where panel space is at a premium.

### ORDERING INFORMATION

Example: 120Vac Input with  
a 0-10Vdc Output.  
**3VTR-001D**



## SPECIFICATIONS

#### INPUT

Voltage ..... See Table  
 Frequency Range ..... 48-420Hz  
 Burden (Each input)  
 150Vac models ..... 0.4VA @ F.S.  
 300Vac models ..... 0.4VA @ F.S.  
 600Vac models ..... 0.4VA @ F.S.  
 Overload ..... F.S. Rating

#### DIELECTRIC TEST

Input/Output/Case ..... 2500Vac RMS

#### INSTRUMENT POWER

All units require 85-265Vac, 48-420Hz, 5VA or 110-370Vdc, 5VA.

#### OUTPUT

Response Time (to 90% F.S.) ..... 100ms  
 Loading  
 "D" models ..... (0-1mAdc) ..... 0-10kΩ  
 "D", "X5" models ..... (0-5Vdc, 0-10Vdc) ..... 2kΩ min.  
 "E" models ..... (4-20mA) ..... 0-500Ω  
 Field Adjustable Cal. .... ±10%

#### ACCURACY

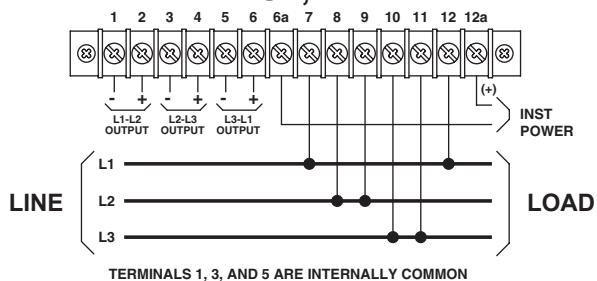
..... ±0.25% F.S. @60Hz  
 (Includes effects of linearity and setpoint from 10-100% of range.  
 ±0.5% F.S. typical over frequency range.)  
 Output Ripple ..... <1.0% F.S.

#### TEMPERATURE & PHYSICAL

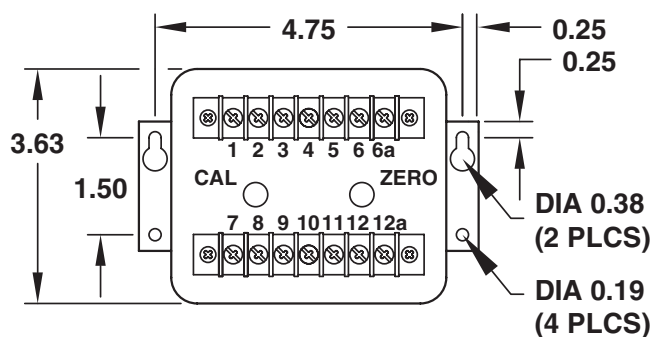
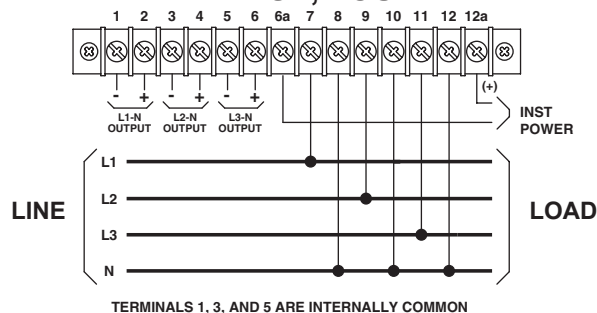
Temperature Effect (-20°C to +60°C) ..... ±1.0% Rdg.  
 Net Weight ..... 2.5 lbs

## CONNECTION DIAGRAMS AND CASE DIMENSIONS

### THREE-PHASE, THREE-WIRE



### THREE-PHASE, FOUR-WIRE



**CASE HEIGHT 6.63"**  
**2.5 LBS**

All dimensions in inches

All units have universal power supply 85-265Vac,  
48-420Hz or 110-370Vdc.