

XZR200

Oxygen Analyzer

A cost effective zirconium-dioxide analyzer to measure percentage level oxygen in combustion processes, ambient air monitoring and many more applications. The unit is configurable to measure either 0-25% or 0-100% oxygen and offers manual or automatic calibration to suit the customer's needs. Two probe lengths are available (210mm & 400mm) as well as two maximum sample temperatures (250°C & 400°C) for greater flexibility.



Highlights

- Configurable outputs: 4-20 mA and 0 to 10 V DC or RS232 comms interface
- Cycling 3.3 V DC logic output allows direct monitoring of the O₂ sensor for diagnostic purposes
- Can be calibrated in normal air (20.7% O₂) or in any other known O₂ concentration
- Selectable output filtering allows fast and dynamic or slow and stable output
- Externally triggered automatic or manual calibration
- Diecast aluminium case IP65 with stainless steel probe
- Sample temperature up to +400°C

Applications

- Combustion control including oil, gas and biomass boiler applications
- Laboratory & building air quality monitoring including confined space personnel safety
- Composting
- Scientific including respiratory studies of a community or an organism, plants and animals
- Food and beverage packaging

Technical Specifications

Performance

Measurement technology	Zirconium Dioxide
Gas	Oxygen
Measurement range	0-25% or 0-100%
Output resolution	0.01 V, 0.01 mA or 0.01% O ₂
Accuracy (0-25%)	< 0.5% O ₂
Accuracy (0-100%)	< 1% O ₂
Response time (T90)	< 5 seconds
Repeatability	< 0.5%
Sample flow rate	0 to 1.7 m/sec
Sample flow effect	±0.5% of full scale
Sample pressure	Atmospheric
Sample temperature	+250°C or +400°C
Sample cell temperature	+700°C
Background gas	Air, N ₂ , CO ₂ , Ar or He

Warning: Probe tip gets hot, do not touch without PPE

Electrical Input/Output

Power supply	24 V DC, ±10%
Power consumption	500 mA maximum @ 24 V DC
Analog outputs	4-20 mA and 0 to 10 V DC
Output ranges	0-25% or 0-100%
Digital communications	RS232 (not available if 4-20 mA output selected)

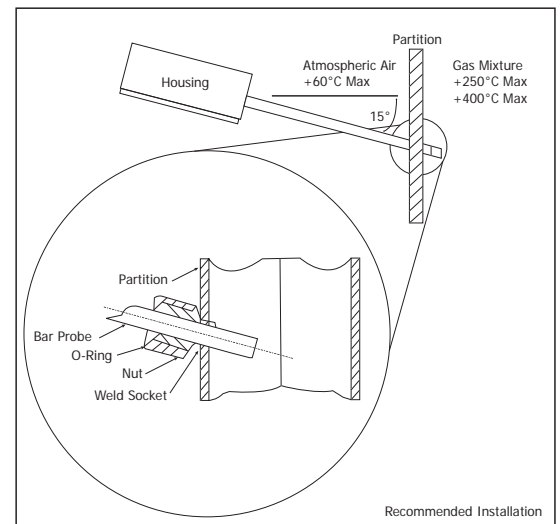
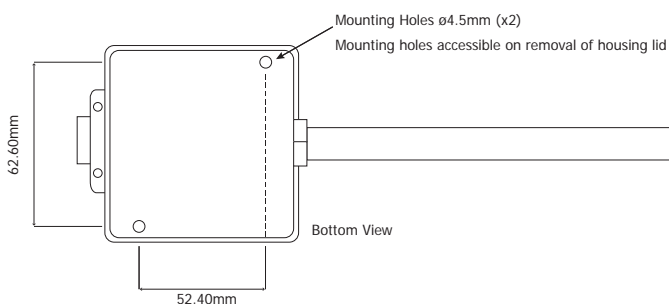
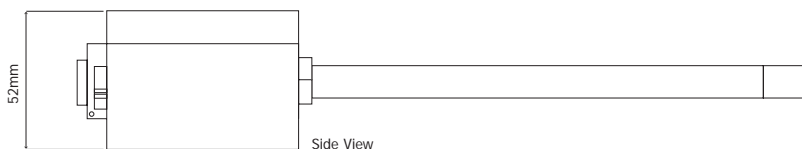
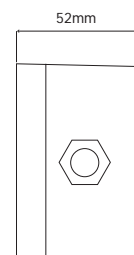
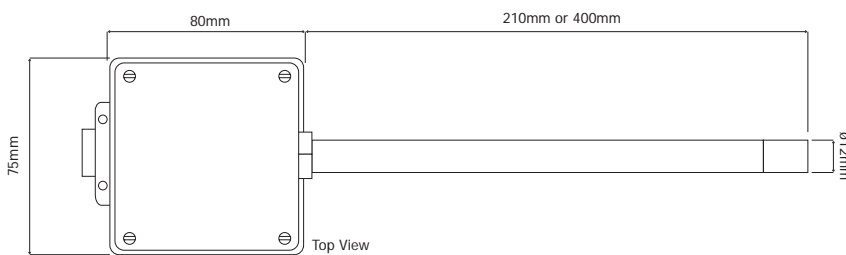
Operating Conditions

Ambient temperature -10 to +85°C

Mechanical Specifications

Warm Up time	Approx. 10 minutes
Stabilization time	Included in the above
Dimensions	52 x 75 x 80mm (h x w x d) excluding probe
Probe dimensions	210 or 400mm (length) ø12mm
Weight	< 0.5kg
Wetted materials	Stainless steel
Process connection	12mm Swagelok® connector
Ingress protection	IP65
Housing material	Waterproof die-cast aluminium housing

Dimensions



Michell Instruments Ltd 48 Lancaster Way Business Park, Ely, Cambridgeshire, CB6 3NW
 Tel: +44 (0) 1353 658000, Fax: +44 (0) 1353 658199, Email: uk.info@michell.com, Web: www.michell.com/uk

Michell Instruments adopts a continuous development programme which sometimes necessitates specification changes without notice.
 Issue no: XZR200_97338_V2_UK_0114